



**User instructions:**

Filters, and in particular sintered filters, change the dynamic behaviour of the sensors. Wet filters yield corrupted measurements until they have dried out fully. To avoid corrosion we recommend to treat the threads of filters ZE20...ZE22 slightly with acid-free grease.

**Product info sheet no. F 5.1**

**Accessories**

Filters and mounting supports

**Description**

The products on this info sheet are used for adapting sensors to the different places of application. Filters protect the sensor against mechanical damage resulting from particle bombardment at relatively high air speeds and damaging deposits. The filters also keep harmful gases from the sensor. Deposits of oil and grease on the filter lead to corrupted measurements which can be rectified by changing the filter.

**Mounting supports:**

**Type ZA20:** Attachment plate, suitable for mounting sensors of  $\varnothing$  20 mm in ventilation ducts at up to 80°C.

**Type ZA24:** Attachment plate, suitable for mounting sensors of  $\varnothing$  15 mm in ventilation ducts, at up to 200°C. (stainless steel base plate with with brass screw connections).

**Type ZA25:** Attachment plate completely made of stainless steel, suitable for mounting sensors of  $\varnothing$  15 mm, in ventilation ducts at up to 100°C. (stainless steel base plate with stainless steel screw connections).

**Type ZA30:** Mounting kit for a built-on humidity switch, comprising adhesive strips and heat conductivity paste, for mounting smooth surfaces.

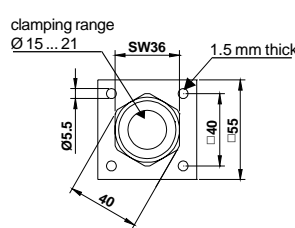
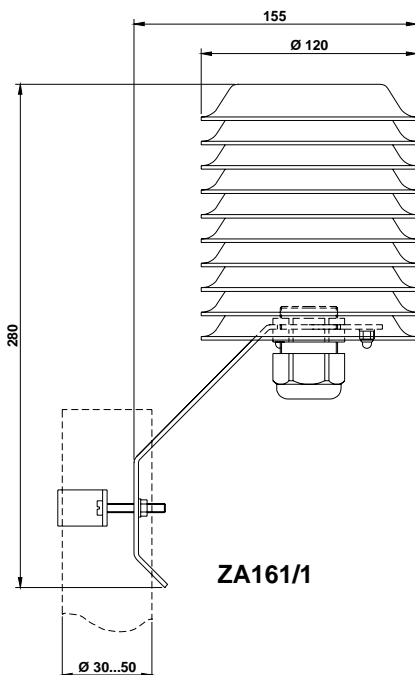
**Type ZA161/1:**

Weather guard, protects the sensors from product info sheet no. C 2.4 outdoors against rainfall and sunlight.

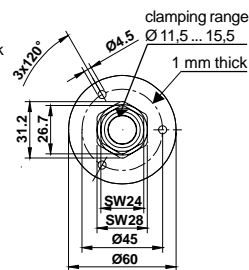
**Wall console 20.009:**

for mounting sensors  $\varnothing$  20mm to walls

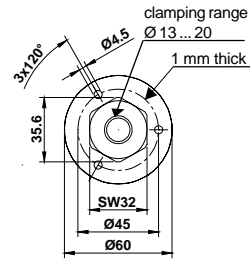
**Dimensions**



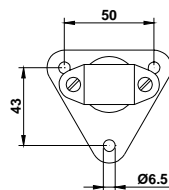
**ZA20**



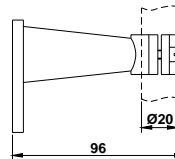
**ZA24**



**ZA25**



**Console for wall mounting**



**20.009**